

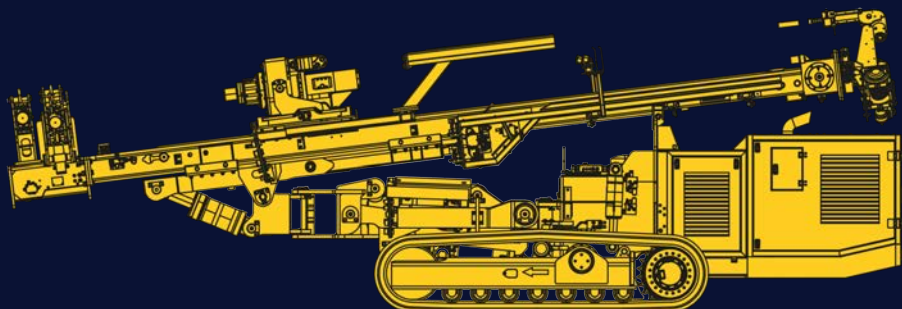
Interroc

AN150

Tech sheet

SPD

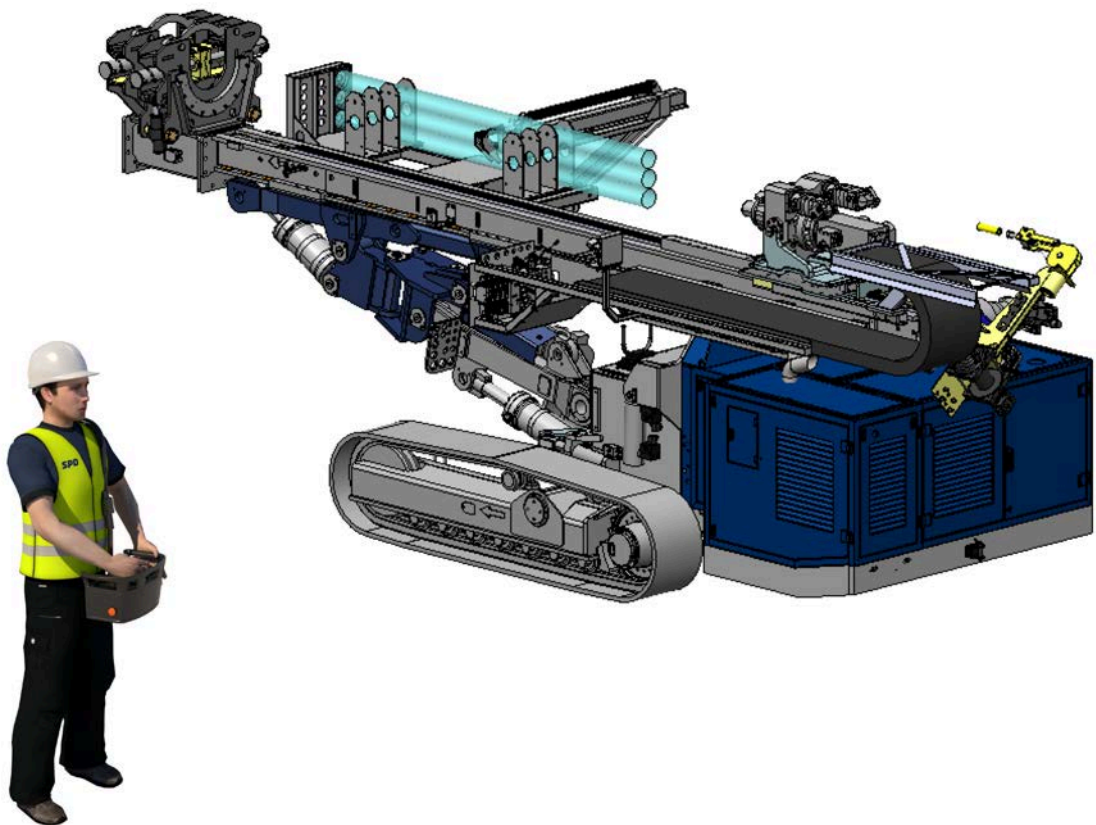
SCANDINAVIAN PILE DRIVING AB



1. AN150 specification

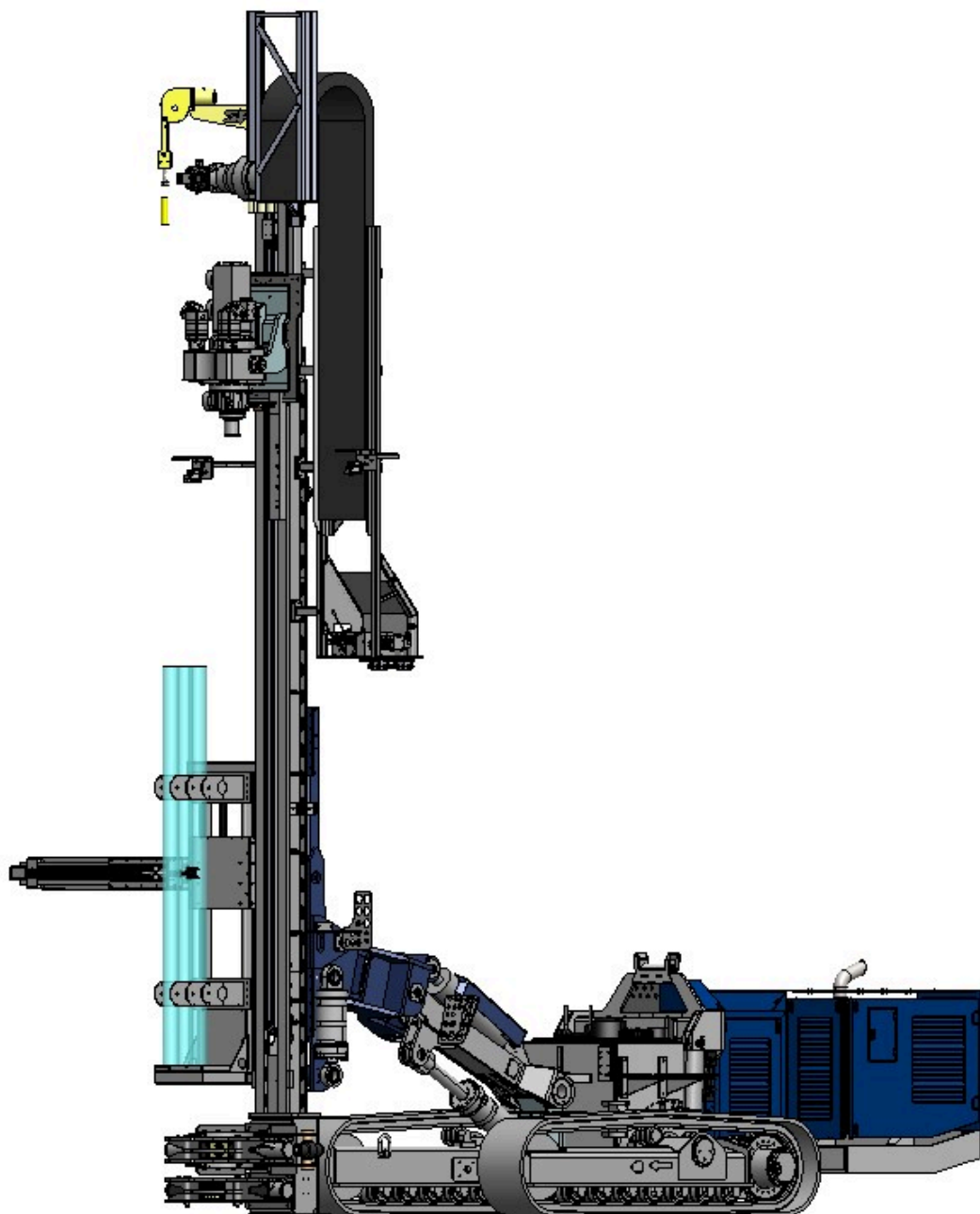
Detail	Specification
Interoc model	AN150
Weight (kg)	17.500-18.500
Width (mm)	2.490
Transport height (mm)	2.900
Mast length (mm)	8.100
Cradle stroke (mm)	5.600
Retraction force (kN)	115 kN
Motor	Cummins QSB6.7
Emission standard	5 (V)
Motor power (kW)	209
Hydraulic pumps	Danfoss
Hydraulic valve manifolds	Danfoss PVG32, 128, 256
Hydraulic capacity P1 (lit/min)	230 lit @ 320 bar
Hydraulic capacity P2 (lit/min)	230 lit @ 320 bar
Hydraulic capacity P3 (lit/min)	120 lit @ 320 bar
Control system	SPD wireless remote
Recommended drill heads	RH16X, RH24X, RH32X, DH16
Magazine	Option
Crane with manipulator	Option
Manipulator (crane)	Option
Standard clamping table	double clamp Ø250 mm
Break out force	50 kNm

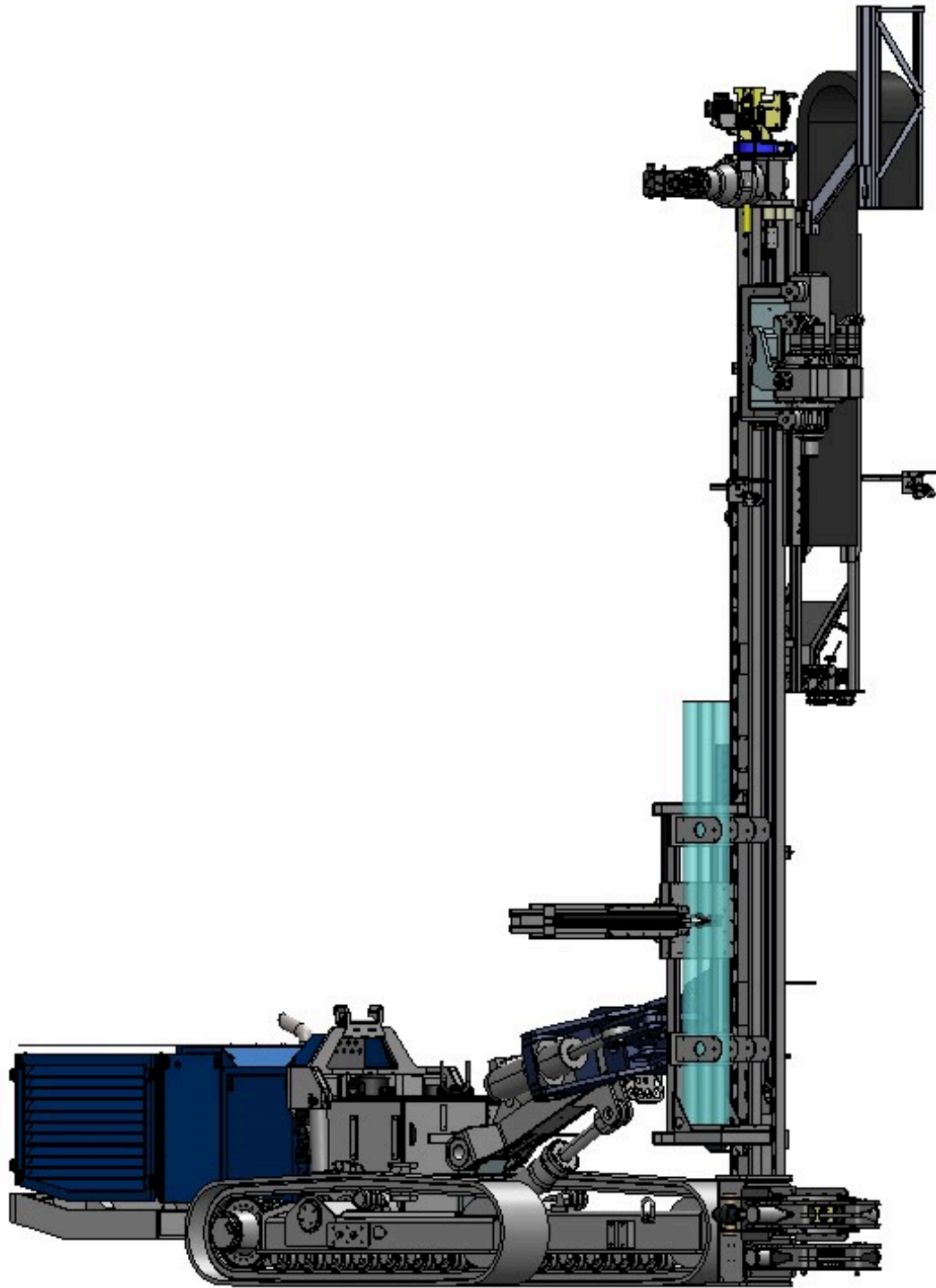
2. Remote control is standard

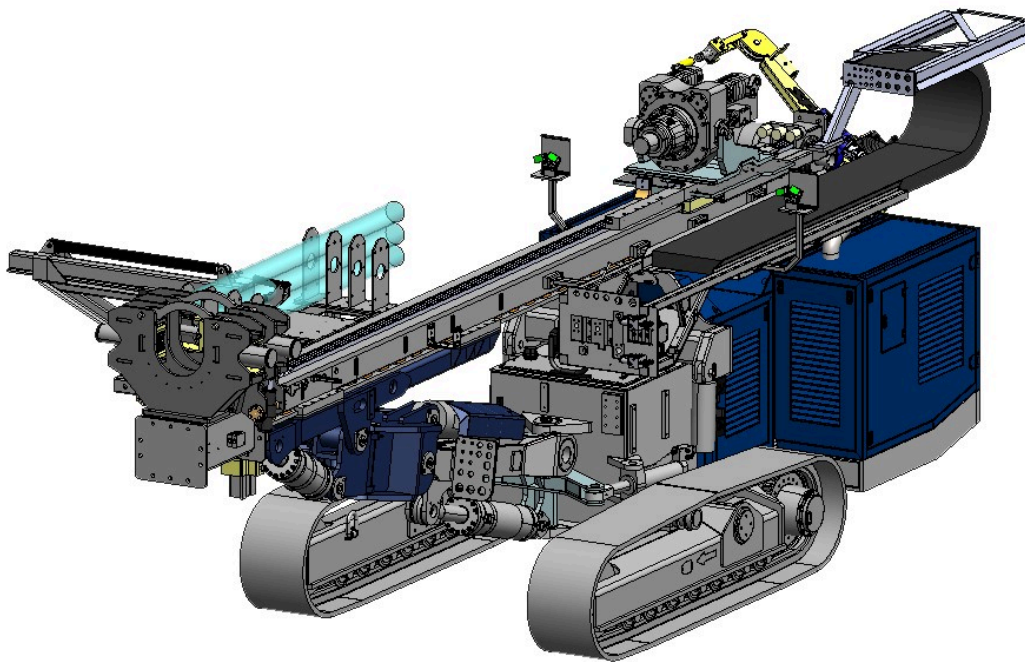


3. AN150 dimensions

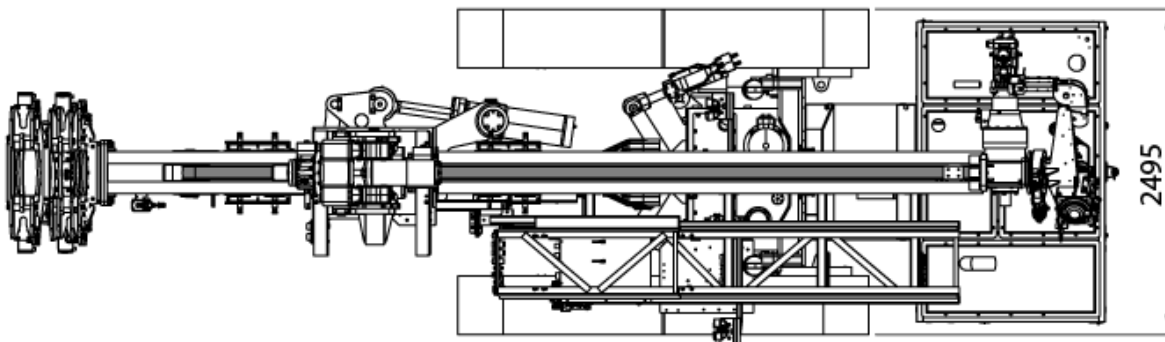
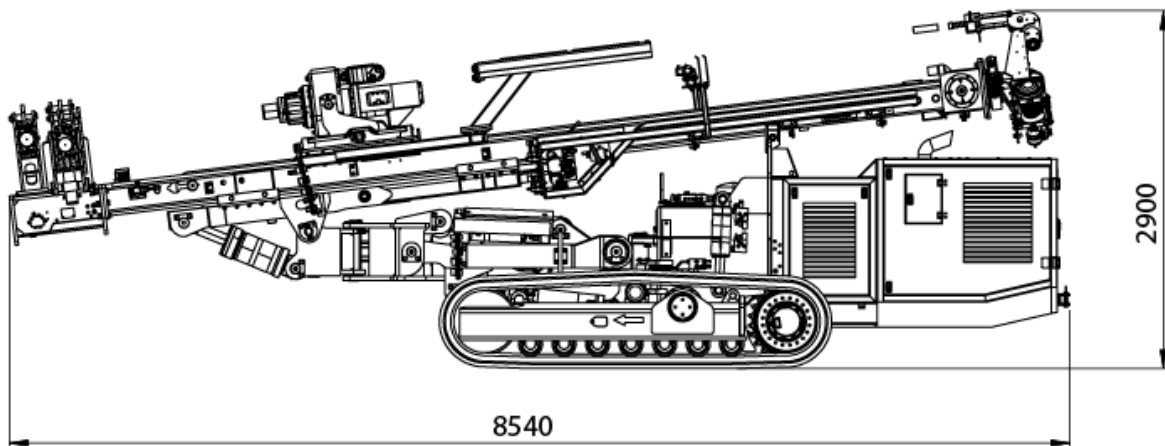
3.1. ISO views

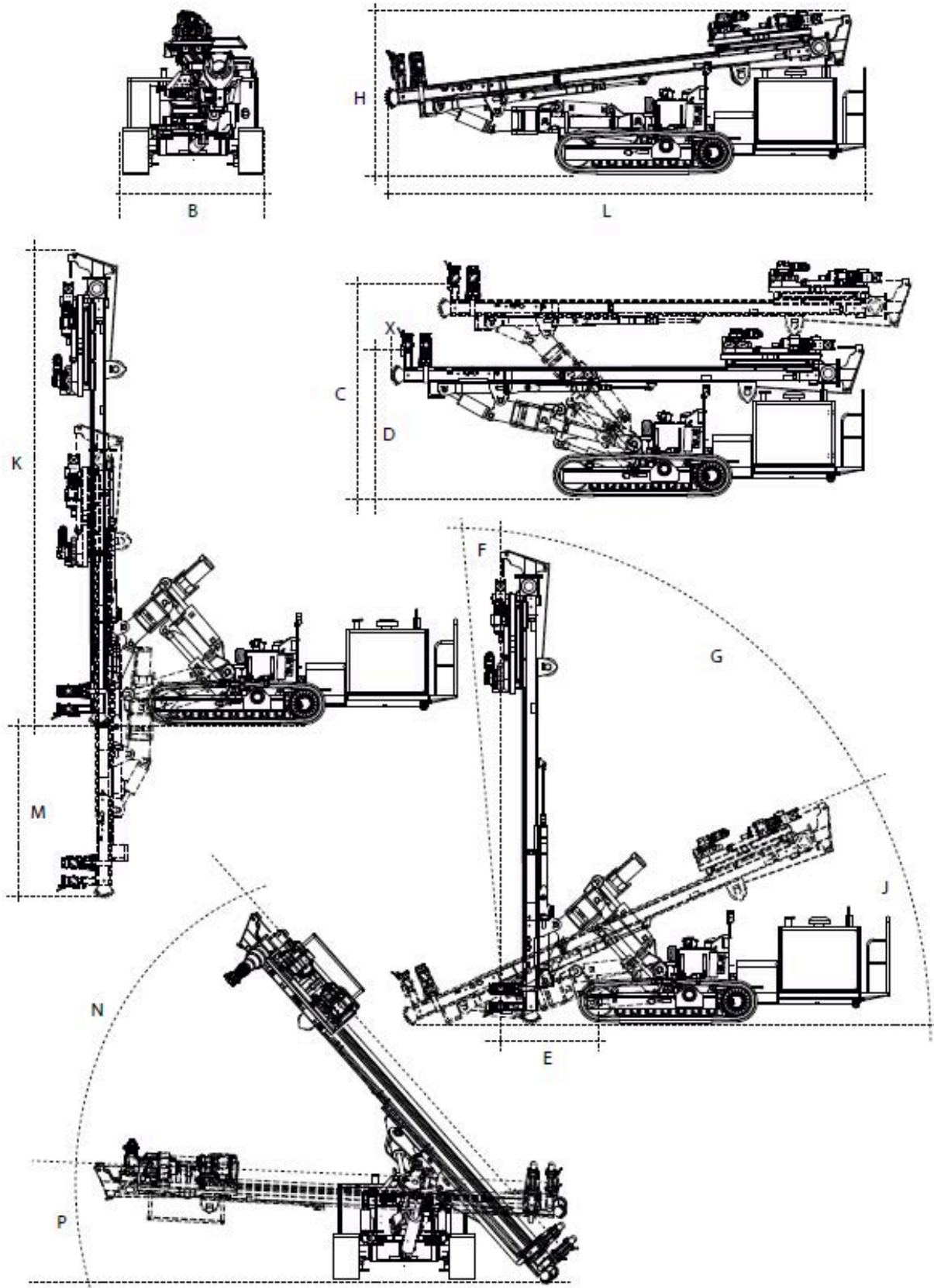






3.2. Transport dimensions





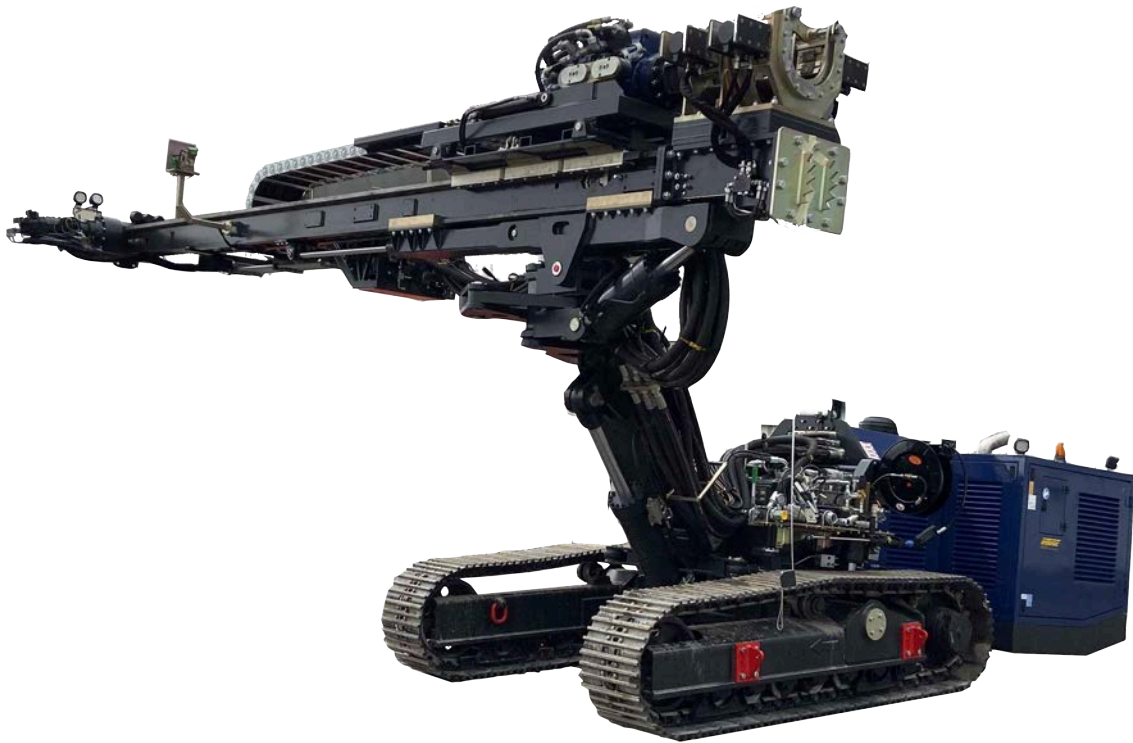
AN150 dimensions

Picture	Specification	AN150
B	mm	2490
H	mm	2900
L	mm	8595
C	mm	3865
D	mm	2685
X	mm	405
E	mm	1740
F	Degree	7
G	Degree	66,5
J	Degree	23,5
K	mm	9590
M	mm	3850
N	Degree	55
P	Degree	3

4. Job site photos







The technical details and design can be changed without further notice, ask for detailed offer! | Technische Daten und Design können ohne Vorankündigung geändert werden, fordern Sie ein detailliertes Angebot an!



Fridhemsgatan 16
SE-733 39 Sala, SWEDEN
Org.nr: 556653-4565

+46 (0)224-138 10
info@spd.se
www.spd.se